

URGENT: VOLUNTARY FIELD SAFETY NOTICE	
Description	Handling guidance for specific catalog numbers of Alcon Phaco Tips when used with included plastic wrench
Relevant Product	Alcon Phaco Tips (see Attachment 1)
Alcon Record ID	2023.011

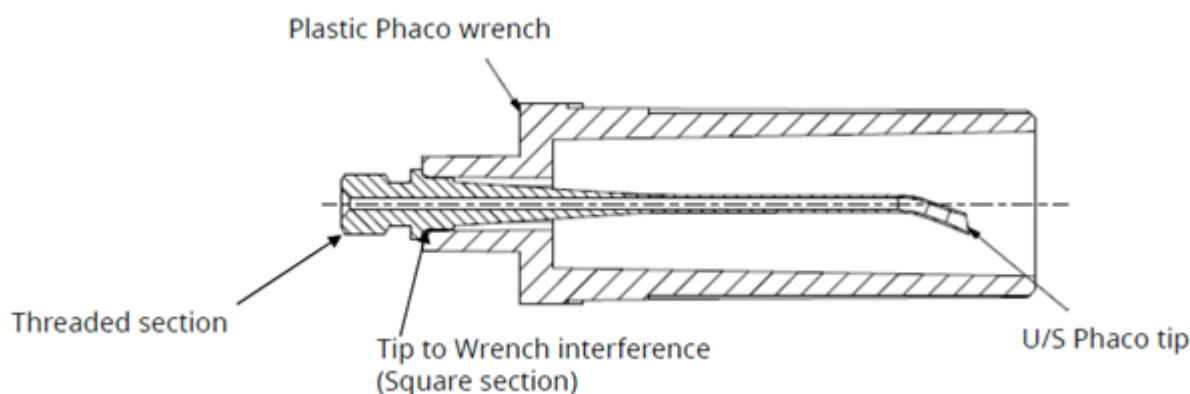
5th July 2023

«Ship_to_Name»
 «Address»
 «City_», «State» «Zip_Code»
 Account «Account»

Dear Healthcare Professional,

Alcon has become aware of the potential for the Phaco Tip wrench to generate plastic shaving particles if the Phaco Tip is over-tightened to the handpiece to the point where the wrench slips over the tip-to-wrench interface.

Please review the following information regarding specific catalog numbers of Alcon Phaco Tips and packs or kits containing those Phaco Tips. The purpose of this letter is to provide you with additional guidance on handling of the plastic wrench when tightening the Phaco Tip to mitigate the risk of generating plastic particles.



Alcon has reported this issue to Health Authorities in accordance with applicable regulations.

Our records indicate that you have received or may receive an Alcon product containing a Phaco Tip with a plastic wrench, see *Attachment 1* for a list of relevant catalog numbers.

Reason for the Field Safety Notice:

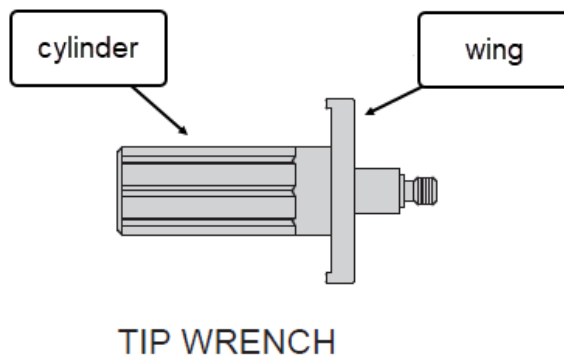
Alcon has detected an increase in complaints of plastic particles associated with Phaco Tips. Laboratory analysis of retrieved particles revealed that the composition of the particles is consistent with the plastic wrench material. Globally, complaints of plastic particles associated with Phaco Tips represent less than 0.01% of Phaco Tips sales volume. Alcon has received a limited number of reports of adverse events associated with this issue.

Potential patient impact

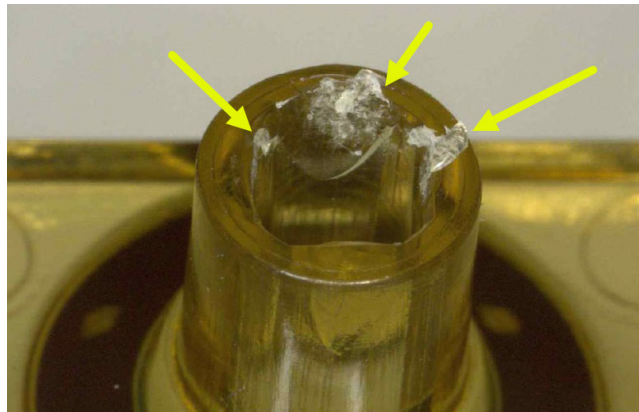
If particles are generated from the plastic wrench by overtightening the Phaco Tip and those particles subsequently enter the patient's eye during surgery, there is a potential risk of intra- and/or post-operative complications, including intraocular tissue damage, bleeding, and/or associated inflammation.

Actions to be taken by the Customer / User:

- A. In order to mitigate the potential for the wrench to be damaged by overtightening the Phaco Tip and associated generation of plastic particles, Alcon is advising customers of the following precautions:
 - To fasten the tip into the handpiece, grasp the plastic wrench by the cylindrical part of the wrench. Overtightening by leveraging the wings can increase the likelihood that the wrench may slip over the tip-to-wrench interface, causing damage to the wrench, and has the potential to generate plastic particles which may remain on the exterior of the Phaco Tip and/or distal end of the phaco handpiece.



- If the wrench slips, or you suspect that the wrench may have slipped, during the process of threading the tip to the handpiece, do not apply the infusion sleeve over the Phaco Tip.



- Thoroughly flush the tip using the console irrigation functionality.
 - Inspect the Phaco Tip and distal end of the phaco handpiece for particle presence under magnification and illumination.
 - If particles are present on the Phaco Tip and/or phaco handpiece, use the console irrigation functionality to flush the tip again.
 - After flushing, inspect again to verify no particles are present. Upon confirming that the observed particle(s) is no longer present, proceed with application of the infusion sleeve and instrument setup.
- B. To acknowledge your receipt of this Field Safety Notice, please take the following steps:
1. Forward this notification to all departments or organizations using Alcon Phaco Tips.
 2. See *Attachment 1* for the list of relevant Alcon catalog numbers. You may receive shipments containing Phaco Tips manufactured prior to issuance of this Field Safety Notice.
 3. Follow the risk mitigation precautions provided in this notice when using identified catalog numbers of Phaco Tips, procedure pack, or Alcon Custom Pak[®].
 4. Please complete the attached "*Response Form*" indicating your understanding of the included instructions and **return the attached "*Response Form*" via email or post to Alcon using the contact details provided on the response form.**
 5. Keep *Attachment 1* for your records.

In the event you have experienced adverse events or product quality issues related to this communication, please contact Alcon via email: qa.complaints@Alcon.com.

Adverse incidents or quality problems experienced with the use of this product can be reported to the Health Authorities online at:

UK

Medicines Medicines & Healthcare products Regulatory Agency (MHRA)

<https://yellowcard.mhra.gov.uk/>

Ireland

Health Products Regulatory Authority (HPRA)

<https://www.hpra.ie/homepage/about-us/report-an-issue/mdiur>

Should you have any questions or concerns about this matter, please feel free to contact your Alcon Sales Representative. If you need the contact details for your representative, please contact our customer service:

UK

Tel: 0371 376 0084

Email: gb.customerservice@alcon.com

Ireland

Tel: 00353 214865194

Email: irl.customerservice@alcon.com

Sincerely,



Heather Attra
Senior Vice President, Quality and Regulatory Affairs

RESPONSE FORM	
MA 2023.011 Handling guidance for specific catalog numbers of Alcon Phaco Tips when used with included plastic wrench	«Ship_to_Name» «Address» «City_», «State» «Zip_Code» Account «Account»
Please follow these important steps: To acknowledge your receipt of this Voluntary Field Safety Notice, please take the following steps: <ol style="list-style-type: none">1. Forward this notification to all departments or organizations using Alcon Phaco Tips.2. See <i>Attachment 1</i> for the list of relevant Alcon catalog numbers. You may receive shipments containing Phaco Tips manufactured prior to issuance of this Field Safety Notice3. Follow the risk mitigation precautions provided in this notice when using identified catalog numbers of Phaco Tips, procedure pack, or Alcon Custom Pak®.4. Please complete the attached "<i>Response Form</i>" indicating your understanding of the included instructions and return the attached "<i>Response Form</i>" via fax or email to Alcon.5. Keep <i>Attachment 1</i> for your records. <p style="text-align: center;">Return via Email to: gb.quality@alcon.com</p> <p style="text-align: center;"><i>Your signature below attests that you have read and understood Alcon's request and instructions.</i></p>	
Signature of Facility Representative:	
Printed Name and Title:	
Date:	

Attachment 1: List of relevant products and catalog numbers

Below products and Custom Paks and Procedure Paks containing these products are within the scope of this Voluntary Medical Device Correction.

CATALOG	DESCRIPTION
8065750853	45° Kelman 0.9mm Mini-Flared ABS
8065750958	Constellation Fragmentation Pak
8065752065	30° Kelman, 0.9 mm ABS Mini Tip
8065752201	CENTURION Active FMS Pack, 0.9 mm INTREPID Ultra, 45°
8065790020	30° Round, 0.9mm ABS U/S Tip
8065752200	CENTURION Active FMS Pack, 0.9 mm INTREPID Ultra, 30°
8065790022	30° Kelman, 0.9mm ABS® U/S Tip
8065752066	45° Kelman, 0.9 mm ABS Mini Tip
8065750852	30° Kelman, 0.9mm TurboSonic Mini-Flared ABS Tip
30RTS	30° Round, 0.9mm U/S Tip
8065740837	30° R, 0.9mm MicroTip Flared ABS
8065752217	CENTURION Gravity FMS Pack, 0.9 mm INTREPID Ultra, 45°
8065752245	CENTURION Active FMS Pack, 0.9 mm INTREPID Ultra, 45°

If you have any questions about Alcon products, please contact your Alcon Sales Representative.