

Field Safety Notice 2008-06-02

Important safety information to users of Liko Universal SlingBar

Dear Customer,

Liko AB has initiated a field correction program for its product, the “Universal SlingBar”, according to the list below.

When mounted on Viking or LikoLight mobile lifts, a component securing the Universal SlingBar to the lift, in certain circumstances, may experience unanticipated fatigue. In extreme cases this can result in the sling bar becoming detached from the mobile lift. If this were to happen when a patient was being lifted, the patient would risk falling. To date, Liko has had no report of personal injuries.

However, as an industry leader in developing safe lifting equipment and as an advocate for quality and safety, Liko does not accept products that do not live up Liko’s quality standards. Therefore Liko has made the voluntary decision to launch a field correction program to replace all affected products with a new sling bar design. All sling bars now being delivered from Liko AB are the new design.

Accompanying this Field Safety Notice is a letter from your national Liko product distributor explaining how and when they will contact you to exchange your affected sling bars. **In the mean time, your lifting equipment is safe to use, as long as the sling bar passes the inspection described on the next page. If your sling bar does not pass the inspection, or if you are not sure of how to perform the inspection, please contact your national distributor for more information.**

Your country’s medical product regulatory agency is being notified about the field correction program.

This information can also be found on www.liko.com/uk/alerts. Should you have any questions, please contact the Liko product distributor in your country. Contact information is found at www.liko.com/int/distributors.asp or in the letter from your distributor.

Thank you for your attention and cooperation in this matter. We sincerely apologize for any inconvenience this may cause you.

Affected Products	Product no.	Only in combination with lift(s)
Universal SlingBar 350	3156074	} Viking XS, Viking S, Viking M, Viking L, LikoLight
Universal SlingBar 450	3156075	
Universal SlingBar 600	3156076	
Universal SlingBar 350 with Quick-release Hook	3156084	} In combination with all lifts from Liko, i.e. mobile lifts and overhead lifts.
Universal SlingBar 450 with Quick-release Hook	3156085	
Universal SlingBar 600 with Quick-release Hook	3156086	

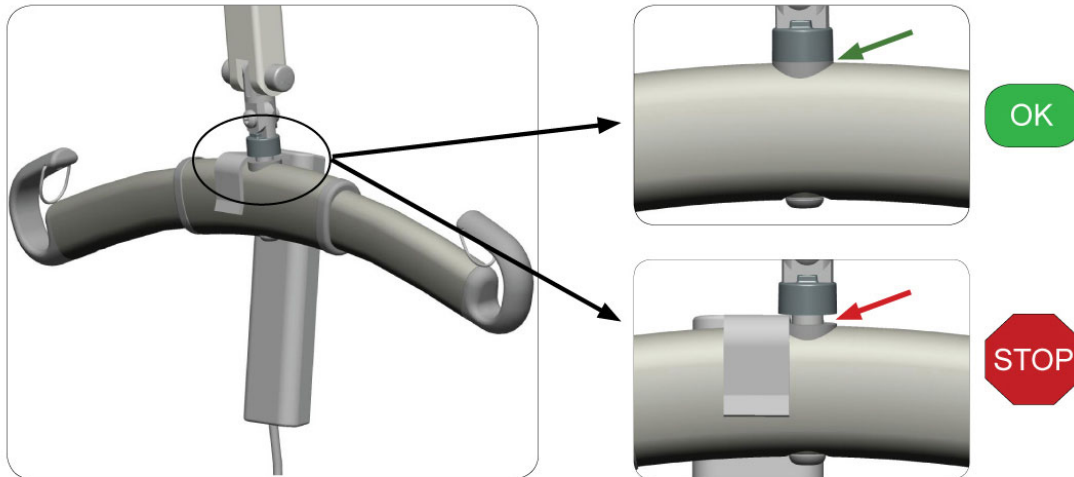
Affected serial numbers on sling bars: 1200101-1245680, 121204-121499, 12222407-12225241

Note: Universal SlingBar 350, 450, 600 (without Quick-release Hook) mounted on overhead lifts or the mobile lift Golvo (using lift straps) is **NOT** affected. Universal SlingBars with Quick-release Hooks are included in the program due to the fact that they easily can be transferred and mounted on to Viking or LikoLight mobile lifts.

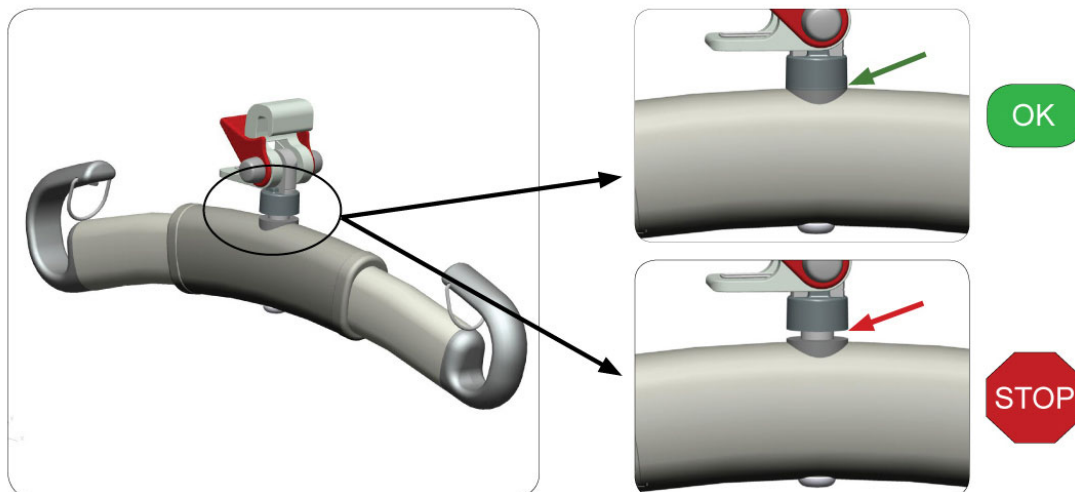
Safety Inspection for the Universal SlingBar

This inspection should be performed before every lift, until you receive a replacement sling bar. If the gap between the plastic cover and the sling bar is wider than the thickness of the Hook on the Hand control for a mobile lift (4mm or .16 inch), **IMMEDIATELY** take the sling bar out of service.

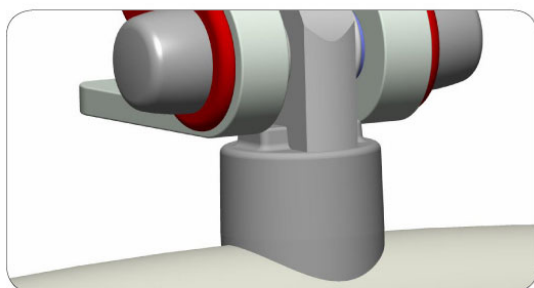
Universal SlingBar 350, 450, 600 (without Quick-release Hook)



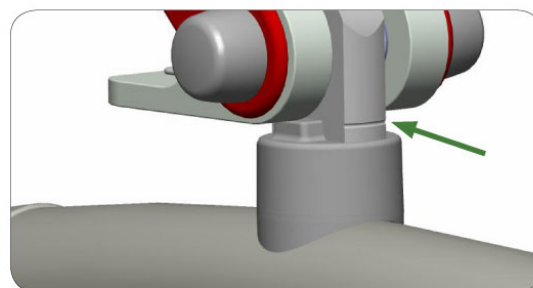
Universal SlingBar 350, 450, 600 with Quick-release Hook



If your Universal SlingBar is the new design, there is **no** need to perform the safety inspection:



Old version



New design version

The new design of Universal SlingBar has a mark to visibly separate it from the old version.