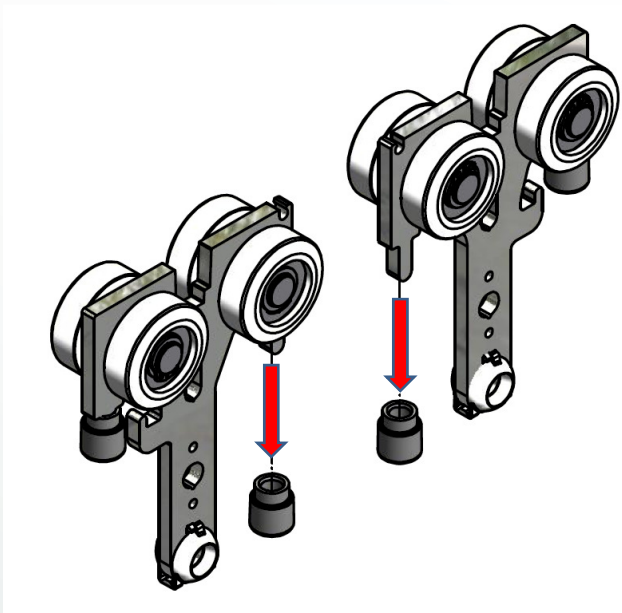


Ceiling hoist Product-information/change GH3 Trolley

Product-information No. 01-417
Skejby, Date 13.02.2012



GH3 Trolley guide No. 550097

In order to secure an optimal closing of the Combi-lock gate it is important to remove the inner guide bush on all GH3 and GH1 trolley sets.

Implemented in production from January 26, 2012

REMEMBER: Guide bush should be removed on all hoists during the next inspection or service

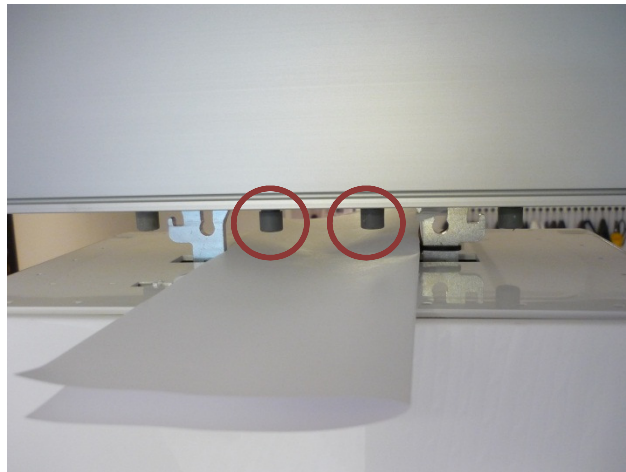
Instruction for removing the trolley guides on GH1/GH3

Use a piece of paper to insert between the two trolleys to prevent the trolley guides from falling into the hoist when you remove the two inner trolley guides.

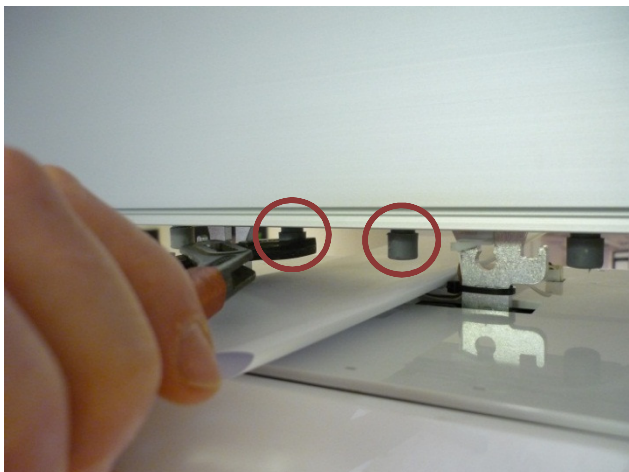
1)



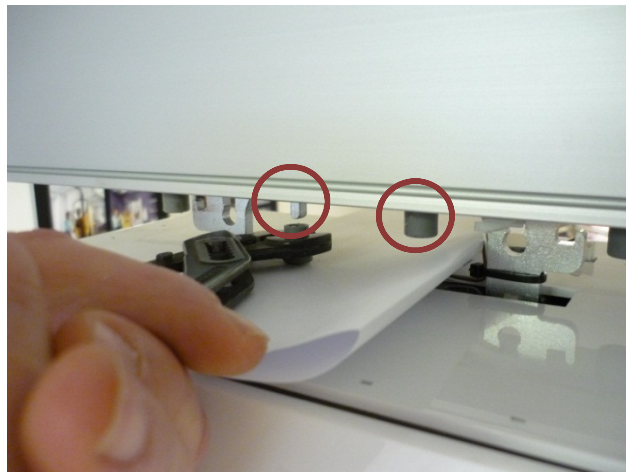
2)



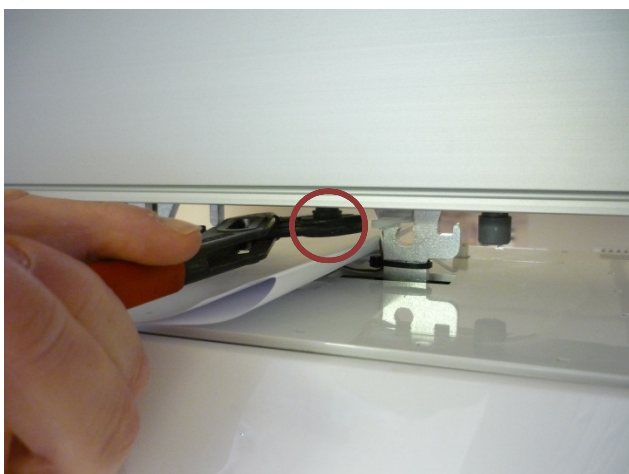
3)



4)



5)



6)

